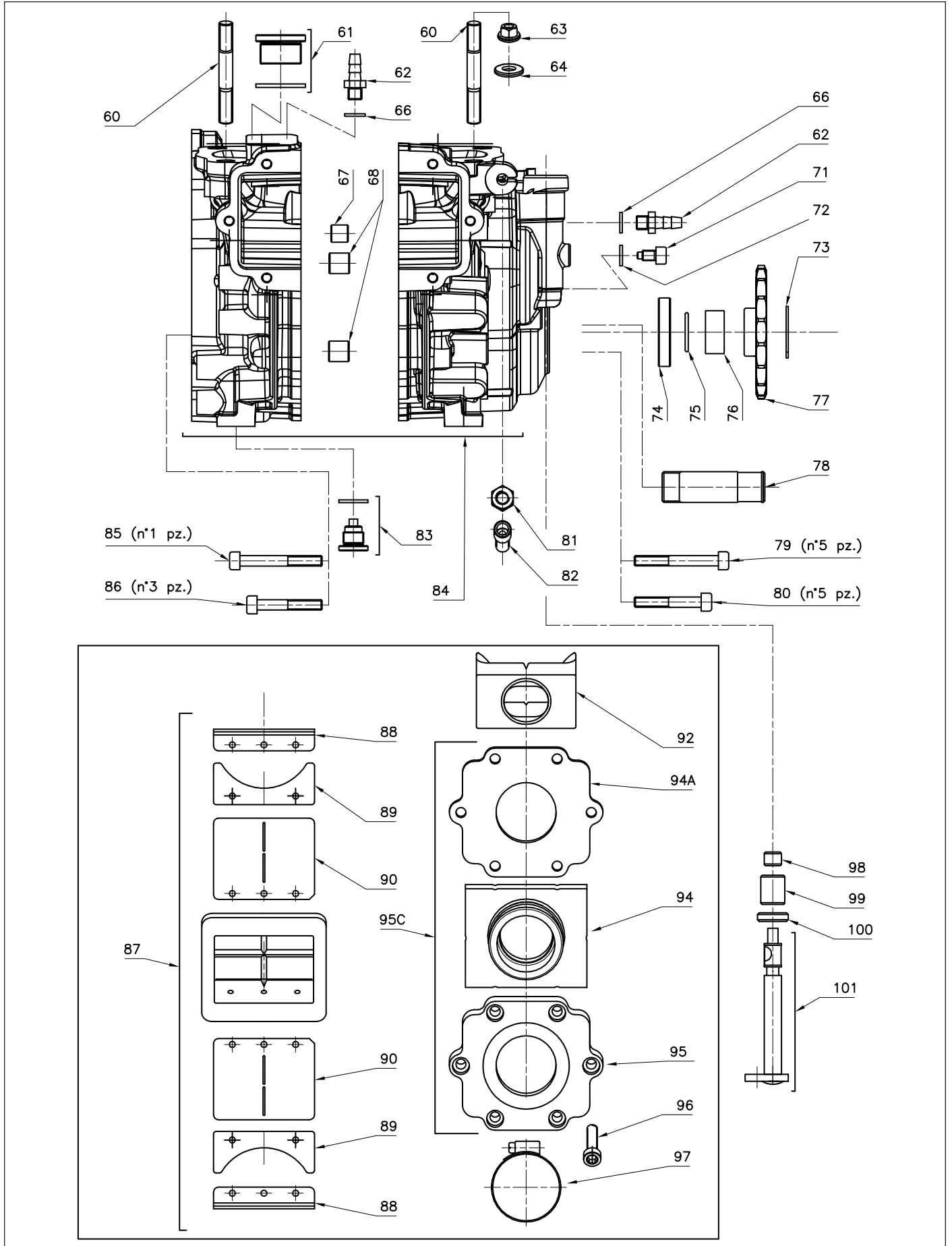
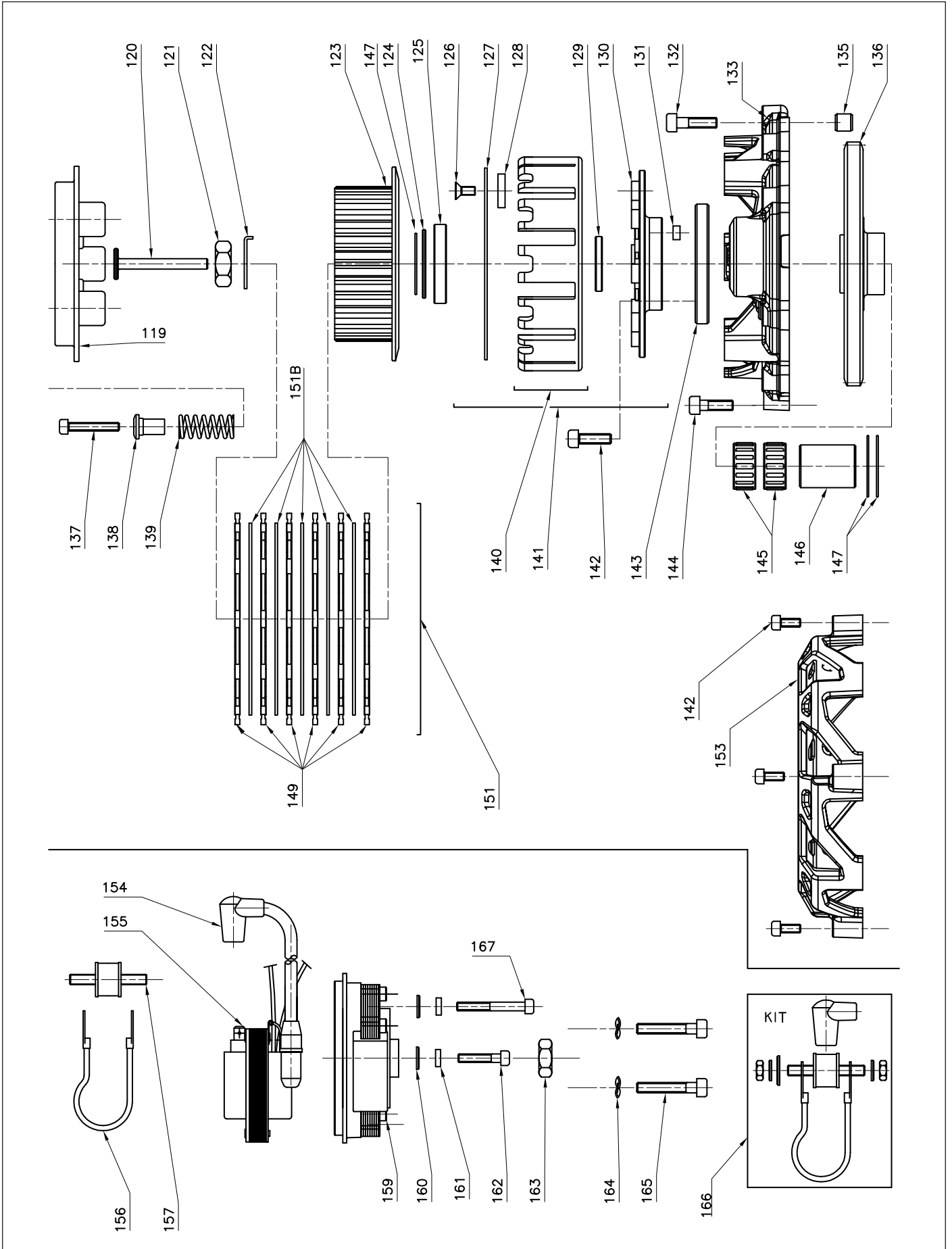


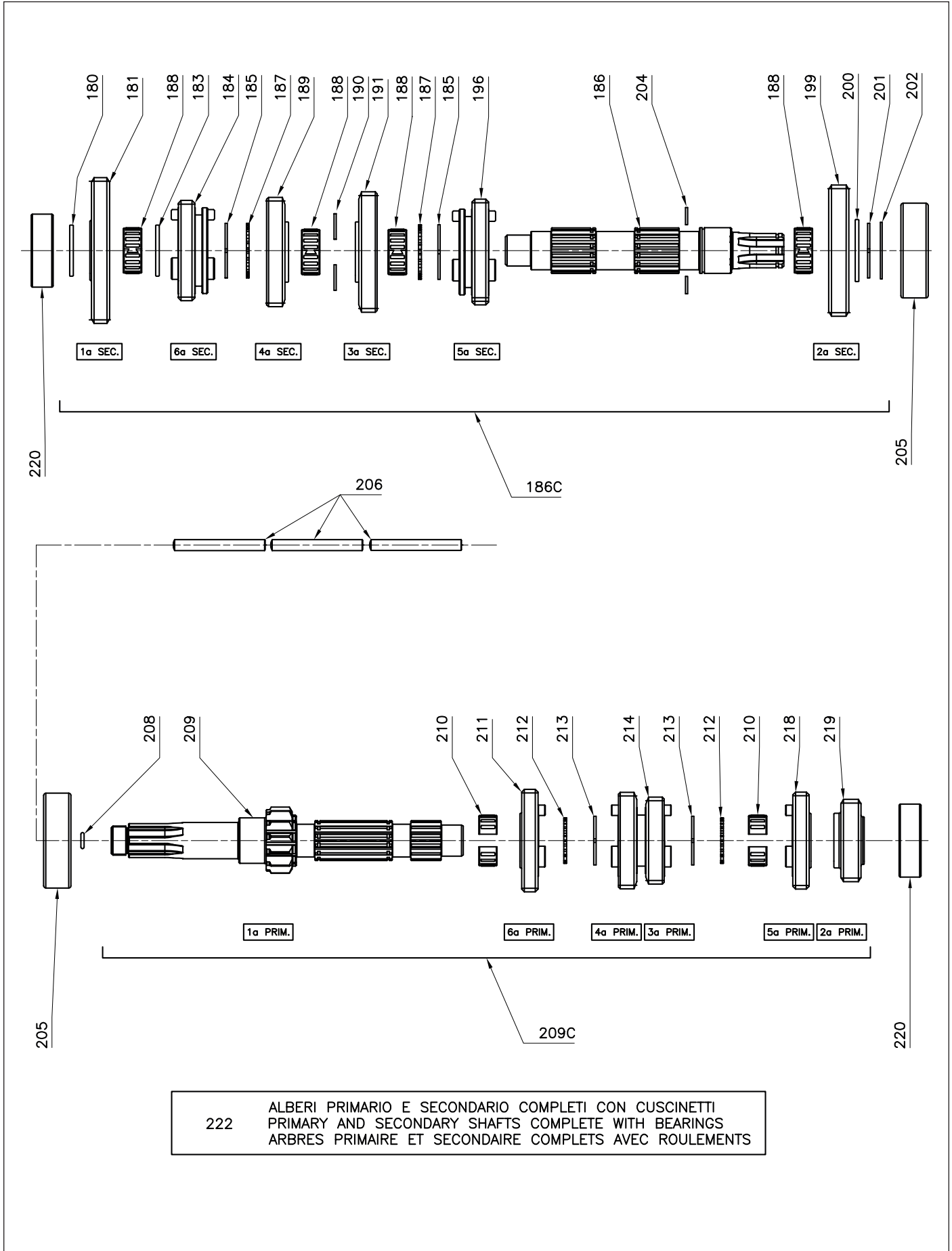
SHF	Cod.	Descrizione	Description	Tax included
1	W10021/SHF	Cilindro rok shifter	Cylinder rok SHF	178,530
2	W10104/KF1	Guarnizione base cilindro 0.1	Cylinder basis spacer 0,1	572
2	W10104/KF2	Guarnizione base cilindro 0.2	Cylinder basis spacer 0,2	572
2	W10104/KF3	Guarnizione base cilindro 0.3	Cylinder basis spacer 0,3	572
2	W10104/KF4	Guarnizione base cilindro 0.4	Cylinder basis spacer 0,4	572
2	W10104/KF5	Guarnizione base cilindro 0.5	Cylinder basis spacer 0,5	572
3	W003	Candela ngk b10 eg	Spark plug ngk b10 eg	
4	W10019/1	O-ring esterno cilindro - testa or 2400	Cylinder - head external o-ring or 2400	242
5	W620	O-ring testa or 2237	Cylinder - head central o-ring or 2237	319
6	W627	O-ring prigionieri - or 2031	Stud bolt o-ring - or 2031	55
7	W511/10	Vite tbce m6x10	Roundhead screw m6x10	44
8	W10662	Guarnizione rame d.6x10x1,5	Copper gasket d.6x10x1,5	44
9	W530/10FL	Dado m8 chiave 10 flangiato	Nut m8x10	55
10	W560/17	Rondella m8,2x17x1,5	Washer m8,2x17x1,5	22
11	W10043	Prigioniero testa/cilindro m8x41	Cylinder/head stud bolt m8x41	121
12	W10010/SHF	Testa motore SHF	Engine head SHF	36,960
13	W260/ROK95	Segmento selezione pistone 53,86	Piston Ring - for piston size 53,86	8,140
13	W260/ROK00	Segmento selezione pistone 53,91	Piston Ring - for piston size 53,91	8,140
13	W260/ROK05	pistone selezione 53,96/53.98	Piston Ring - for piston size 53,96/53.98	8,140
14	W10126/SHF	Pistone 53,86 completo con spinotto	Complete piston 53.86 with pin	24,860
14	W10131/SHF	Pistone 53,91 completo con spinotto	Complete piston 53.91 with pin	24,860
14	W10123/RVZVP	Pistone 53,93 completo con spinotto	Complete piston 53,93 with pin	24,860
14	W10124/RVZVP	Pistone 53,94 completo con spinotto	Complete piston 53,94 with pin	24,860
14	W10136/SHF	Pistone 53,96 completo con spinotto	Complete piston 53,96 with pin	24,860
14	W10138/SHF	Pistone 53,98 completo con spinotto	Complete piston 53,98 with pin	24,860
15	W10081	Anellino fermo spinotto	Piston pin circlip	66
16	W10082	Spinotto pistone d.15	Piston pin d.15	2,530
17	W10085	Gabbia piede biella d.15x19x20	Small end needle cage d.15x19x20	2,530
18	W10326	Guancetta in nylon	Nylon Stuffer	616
19	W522/12	Vite tsce m5x12	Fleathed screw m5x12	22
20	W10310/KF	Ralla argentata d.20.1 a stella	Silver-plated shim d.20,1	968
21	W10320/B6	Gabbia argentata iko d.20x26x15 b6	Silver-plated cage iko d.20x26x15b6	9,130
22	W10315	Asse accoppiamento d.20x50 forato	Crank pin d.20x50	5,280
61	W7000123000500	Asse accoppiamento 20x50 forato	Drilled crank pin 20x51	5,280
24	W450	Chiavetta accensione 13x5x3	Ignition key 13x5x3	66
25	W10353/RVXXC	Semialbero lato trazione completo	Complete SHF half crankshaft sprocket side	39,380
26	W10340/RVXXC	Semialbero lato accensione completo	Complete SHF half crankshaft ignition side	34,760
27	W10308/SHFC	Biella completa l.110 SHF	Complete SHF conrod 110mm	72,820
30C	W10355/RVXXC	Albero motore completo SHF	Complete crankshaft SHF	145,750
31	W10274	Anello elastico sw 15 a.m.	Elastic ring sw 15 crankshaft	187
33	W10275/3	Pignone trasmissione primaria z17	Primary transmission sprocket z17	8,580
34	W10276	Anello elastico sw 19 a.m.	Elastic ring sw 19 crankshaft	187
35	W310	Paraolio fpj 20x35x7 doppio l.	Oil seal fpj 20x35x7 double lip	902
36	W10370	Cuscinetto a.m.bc1-1442b	Insert a.m.bc1-1442b	15,840



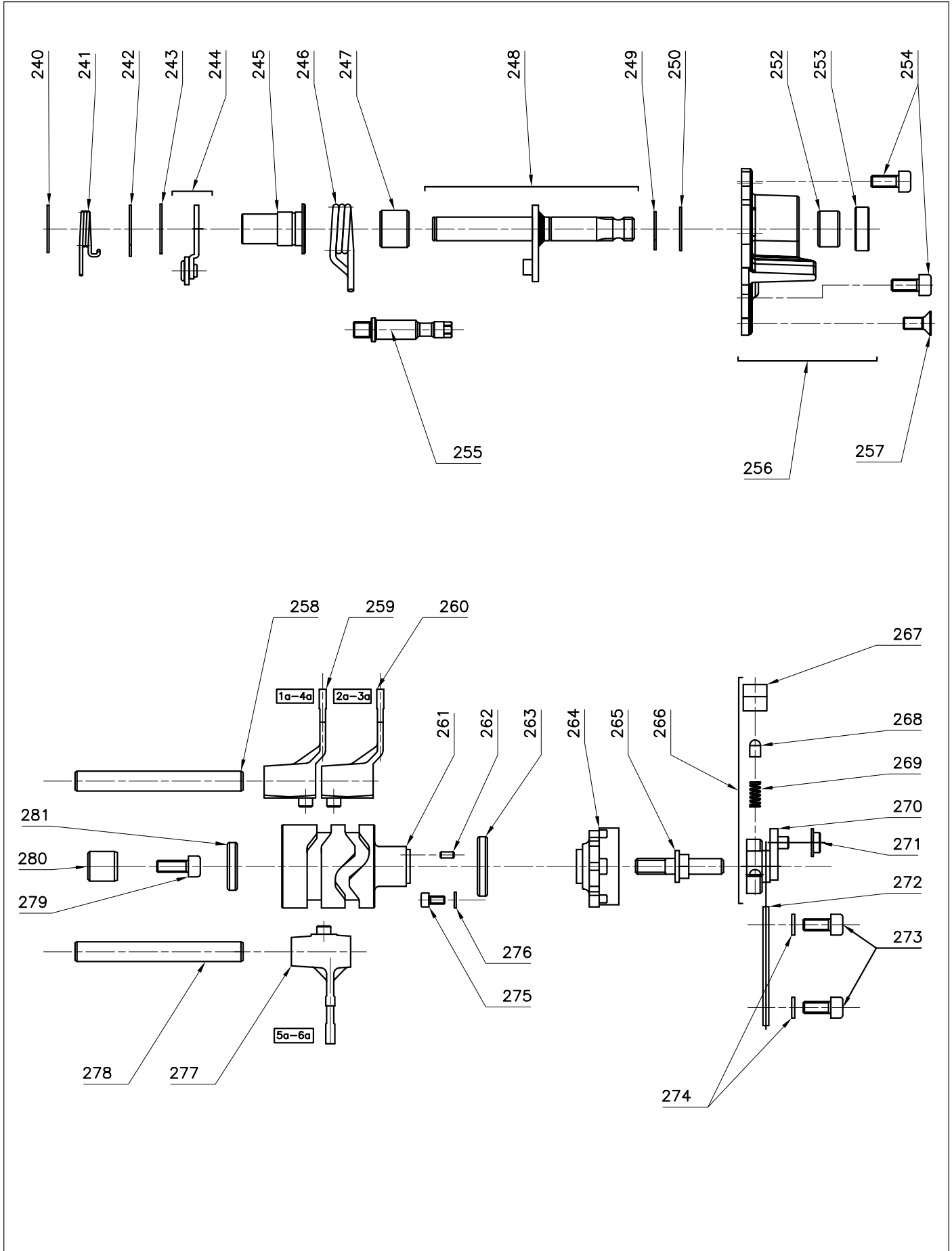
Rif.	Cod.	Descrizione	Description	Tax included
60	W10044	Prigioniero base cilindro	Cylinder stud bolt	759
61	W2035/ROK	Tappo olio tce4m / m18 x 1,5 c/ralla	Oil plug tce4m m18x1,5 w/washer	616
62	W800	Raccordo depressione m8 esagonale	Depression pipe fitting m8 hexagonal	473
63	W530/10FL	Dado m8 chiave 10 flangiato	Nut m8x10	55
64	W560/17	Rondella m8,2x17x1,5	Washer m8,2x17x1,5	22
66	W10267	Guarnizione rame d.8x12x1 rame	Copper gasket d.8x12x1	22
67	W075/1	Bussola carter d10x10,5x6,5	Crankcase dowel d.10x10,5x6,5	759
68	W10261	Bussola carter d.12x12x7	Crankcase dowel d.12x12x7	1,210
71	W10660	Vite ferma leva frizione	Clutch lever retain screw	902
72	W10662	Guarnizione rame d.6x10x1,5	Copper gasket d.6x10x1,5	44
73	W10560	Anello seeger a-20	Seeger a-20	44
74	W10552	Paraolio pignone d.25x40x7	Sprocket oil seal d.25x40x7	1,210
75	W10549	O-ring distanziale pignone - or 2075	Sprocket spacer o - ring 2075	22
76	W10550/1	Anello distanz. Pignone 20x25x12,4	Sprocket spacer o - ring 20x25x12,4	3,520
77	W10556	Pignone catena z16	Chain sprocket Z16	7,040
77	W10554	Pignone catena z17	Chain sprocket Z17	7,040
77	W10558	Pignone catena z18	Chain sprocket Z18	7,040
78	W10235	Raccordo acqua carter	Crankcase water pipe fitting	1,650
79	V.TCE6X55	Vite tce 6x55	Socket-head screw 6x55	506
80	V.TCE6X40	Vite tce 6x40	Socket-head screw 6x40	33
81	W530/06	Dado esagonale 8ma	Hexagonal nut 8ma	22
82	W10650	Registro cavo frizione	Clutch cable register	1,540
83	W10252	Tappo olio tce m1 12 x 1,5 completo	Complete oil plug tce m1 m12x1,5	1,980
84	W10240/RVXX	Carter completo SHF	Complete crankcase SHF	174,350
85	V.TCE6X65	Vite tce m6x65	Socket-head screw m6x65	77
86	V.TCE6X50	Vite tce m6x50	Socket-head screw m6x50	55
87	W7000403000200	Piramide lamellare completa Shifter	Complete reed valve pyramid Shifter	33,660
88	W10253	Rinforzo lamella superiore	Top reed stiffener	451
89	W10216	Rinforzo lamella (USA / ACI-CSAI)	Reed stiffener (USA / ACI-CSAI)	3,300
90	W10221/1	Lamella piramide lamellare 0,4	Reed petal pyramid 0,4	8,910
92	W10247/1RVZ	Convogliatore interno piramide lamellare	Reed valve pyramid internal conveyor	4,510
94	W10268/RVZ2S	Collettore aspirazione in gomma 69x55 Shifter/RKZ	Rubber inlet manifold 69x55 Shifter/RKZ	4,510
94/A	W10351/1RVX	Guarnizione pacco lamellare AFM 31 Shifter/RKZ	Reed valve pyramid gasket Shifter/Rkz	451
95	W10268/RKZ1S	Flangia collettore aspirazione 69x55 Shifter/RKZ	Flange for manifold 69x55 Shifter/RKZ	15,180
95/C	W10268/RKZS	Collettore aspirazione 69x55 Shifter/RKZ	Inlet manifold 69x55 Shifter/RKZ	18,040
96	V.TCE6X16	Vite tce m6x16	Socket-head screw m6x16	22
97	W10277	Fascetta carburatore	Carburettor clamp	572
98	W10654	Astuccio a rullini hk 0608	Roller case hk 0608	616
99	W10656	Astuccio a rullini hk 1015	Roller case hk 1015	781
100	W10658	Paraolio leva frizione d.10x18x4	Clutch lever oil seal d.10x18x4	473
101	W10652/RVX	Leva frizione	Clutch lever	9,240



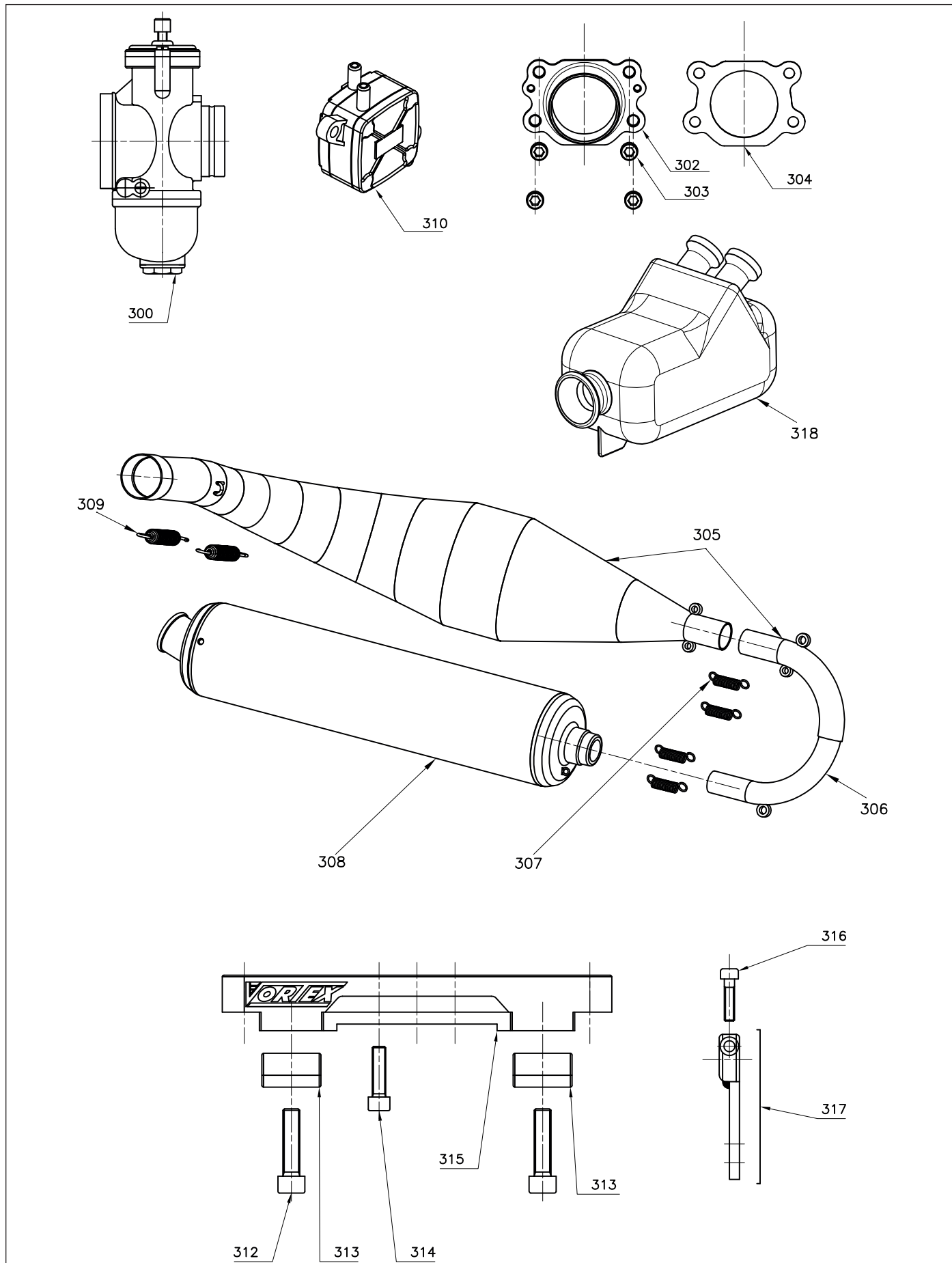
Rif.	Cod.	Descrizione	Description	Tax included
119	W10612/RVXX	Coperchio spingidisco frizione	Clutch disks cover	6,380
120	W10644	Fungo spingidisco	Clutch lifter	2,420
121	W10620	Dado tamburo frizione	Clutch drum nut	902
122	W10611	Fermo dado tamburo frizione	Drum nut retainer	616
123	W10610/RVXXC	Tamburo frizione completo	Complete clutch drum	21,120
124	W10624	Ralla tamburo frizione d. 20x40x2	Clutch drum washer d.20x40x2	187
125	W10673	Distanziale mozzo friz. Parastrappi	Clutch drum spacer for damper	1,870
126	W522/10	Vite tsce m5x10	Flathead screw m5x10	22
127	W10671	Coperchio parastrappi	Damper cover	2,640
128	W10672	Gommino parastrappi	Damper rubber	319
129	W10626	Paraolio campana frizione g25x32x44	Clutch housing oil seal g25x32x44	1,650
130	W10670/RKZ	Piatto parastrappi RKZ/SHF	Damper plate RKZ/SHF	38,280
131	W10636	Linguetta 4x4x8 campana frizione	Clutch housing key 4x4x8	187
132	V.TCE6X30	Vite tsce m6x30	Socket-head screw m6x30	44
133	W10211/RVXX	Coperchio trasm.primaria SHF	Primary transmission cover SHF	0
135	W075/1	Bussola carter d.10x10,5x6,5	Crankcase dowel d.10x10,5x6,5	759
136	W10280/3	Ingranaggio trasmissione primaria Z67	Primary transmission gear Z67	74,250
137	V.TCE5X30	Vite tsce m5x30	Socket-head screw m5x30	33
138	W10634	Distanziale molla frizione m5	Clutch spring spacer m5	902
139	W10618	Molla frizione	Clutch spring	319
140	W10608/RKZC	Campana frizione con anello RKZ/SHF	Clutch housing RKZ/SHF	16,390
141	W10670/RKZC	Campana frizione con parastrappi RKZ/SHF	Complete clutch housing with damper RKZ/SHF	61,160
142	V.TCE6X20	Vite tsce m6x20	Socket-head screw 6x20	33
143	W10642	Paraolio cop. Trasmis. Primaria d.55x70x8	Primary transmission cover oil seal d.55x70x8	902
144	V.TCE6X25	Vite tsce m6x25	Socket-head screw 6x25	44
145	W10640	Gabbia primaria k25x29x13	Primary cage k25x29x13	1,980
146	W10606/1	Anello interno lr 20x25x38,5	Internal ring lr 20x25x38,5	11,000
147	W10607	Ralla trasm. Primaria as 2035	Primary transmission washer as 2035	198
149	W10616/1	Disco guarnito	Lined disk	2,420
151	W10615	Kit dischi frizione RKZ/SHF	Clutch disks kit RKZ/SHF	18,480
151B	W10614/1	Disco nudo in ferro	Iron bare disk	1,056
153	W10625/RVXX	Carterino frizione RKZ/SHF	Clutch guard RKZ/SHF	9,460
154	W420/2	Pipetta candela	Spark cap	3,520
155	W410/14	Bobina PVL 105 458	105 458 PVL coil	23,540
156	W430	Cavetto massa	Ground cable	319
156	W430/1	Cavetto massa in treccia rame	Ground copper stranded cable	1,430
157	W440	Silent-block fissaggio bobina	Coil fixing silent-block	759
159	W7002203000200	Accensione CPL	Ignition CPL	48,510
160	W570/12	Rondella piana 6x12x1,5	Flat washer 6x12x1,5	22
161	W580/1	Rondella piana d.5,2x13x3	Flat washer d.5,2x13x3	77
162	V.TCE5X30	Vite tsce m5x30	Socket-head screw m5x30	33
163	W695	Dado rotore accensione	Ignition rotor nut	1,210
164	W571/12	Rondella elastica d.6x12	Elastic washer d.6x12	11
165	V.TCE6X30	Vite tsce m6x35	Socket-head screw m6x35	44
166	W445	Kit fissaggio bobina completo	Coil fixing kit complete	3,850
167	V.TCE5X40	Vite tsce m5x40	Socket-head screw m5x40	44



Rif.	Cod.	Descrizione	Description	Tax included
180	W10522	Ralla rasamento cuscinetto d.17x29x2	Bearing washer d.17x29x2	539
181	W10524/2	Ingranaggio 1 ^A albero secondario Z 33	Gear 1 TH countershaft Z 33	24,310
183	W10530	Rondella 21x29x1	washer 21x29x1	198
184	W10530/4	Ingranaggio 6 ^A albero secondario Z 25	Gear 6 TH countershaft Z 25	22,550
185	W10532/2	Anello seeger d.25 esterno tornito	Seeger d.25 external	319
186	W10520/1	Albero secondario RKZ/SHF	Countershaft RKZ/SHF	25,190
186C	W10520/RKZC	Albero secondario completo RKZ/SHF	Complete countershaft RKZ/SHF	160,380
187	W10523	Ralla brocciata albero secondario d. 25	Secondary broached washer d.25	3,080
188	W10526	Gabbia k21x25x10	Cage k21x25x10	451
189	W10536/4	Ingranaggio 4 ^A albero secondario Z 22	Gear 4 TH countershaft Z 22	20,790
190	W10538	Ralla spaccata 29x21.2x1	Split washer 29x21.2x1	198
191	W10540/1	Ingranaggio 3 ^A albero secondario Z 24	Gear 3 TH countershaft Z 24	20,790
196	W10544/4	Ingranaggio 5 ^A albero secondario Z 23	Gear 5 TH countershaft Z 23	22,770
199	W10546/5	Ingranaggio 2 ^A albero secondario Z 29	Gear 2 TH countershaft Z 29	23,540
200	W10533	Ralla spallam. Cambio d.25x32x1,5	Gearbox washer d.25x32x1,5	473
201	W590/25	Anello seeger d.25	Seeger d.25	55
202	W10535	Ralla cambio d.25x35x0,5	Gearbox washer d.25x35x0,5	44
204	W10538	Ralla spaccata 29x21.2x1	Split washer 29x21.2x1	198
205	W300/A4	Cuscinetto 6205 c4	Insert 6205 c4	1,870
206	W10668/1	Asta alza frizione	Clutch lifter rod	902
208	W10646	O-ring fungo spingidisco or 2025	Clutch lifter o-ring 2025	22
209	W10502/1	Albero primario Z 13 RKZ/SHF	Mainshaft Z13 RKZ/SHF	40,260
209C	W10502/3C	Albero primario Z 13 completo RKZ/SHF	Complete mainshaft Z13 RKZ/SHF	122,540
210	W10504	Gabbia spaccata d.18x22x10	Split cage d.18x22x10	2,970
211	W10506/3	Ingranaggio 6 ^A albero primario Z 27	Gear 6 TH mainshaft Z 27	19,140
212	W10508	Ralla brocciata albero primario d.22	Broached washer primary shaft d.22	3,080
213	W10510/2	Anello seeger d.22 esterno	Seeger d.22 external	44
214	W10512/3	Ingranaggio 3 ^A /4 ^A albero primario Z 16-Z 18	Gear 3 TH /4 TH mainshaft Z 16-Z 18	22,550
218	W10514/3	Ingranaggio 5 ^A albero primario Z 22	Gear 5 TH mainshaft Z 22	17,600
219	W10516/3	Ingranaggio 2 ^A albero primario Z 16	Gear 2 TH mainshaft Z 16	12,320
220	W10518	Cuscinetto 6203 c4 17x40x12	Insert 17x40x12 6203 c4	1,056

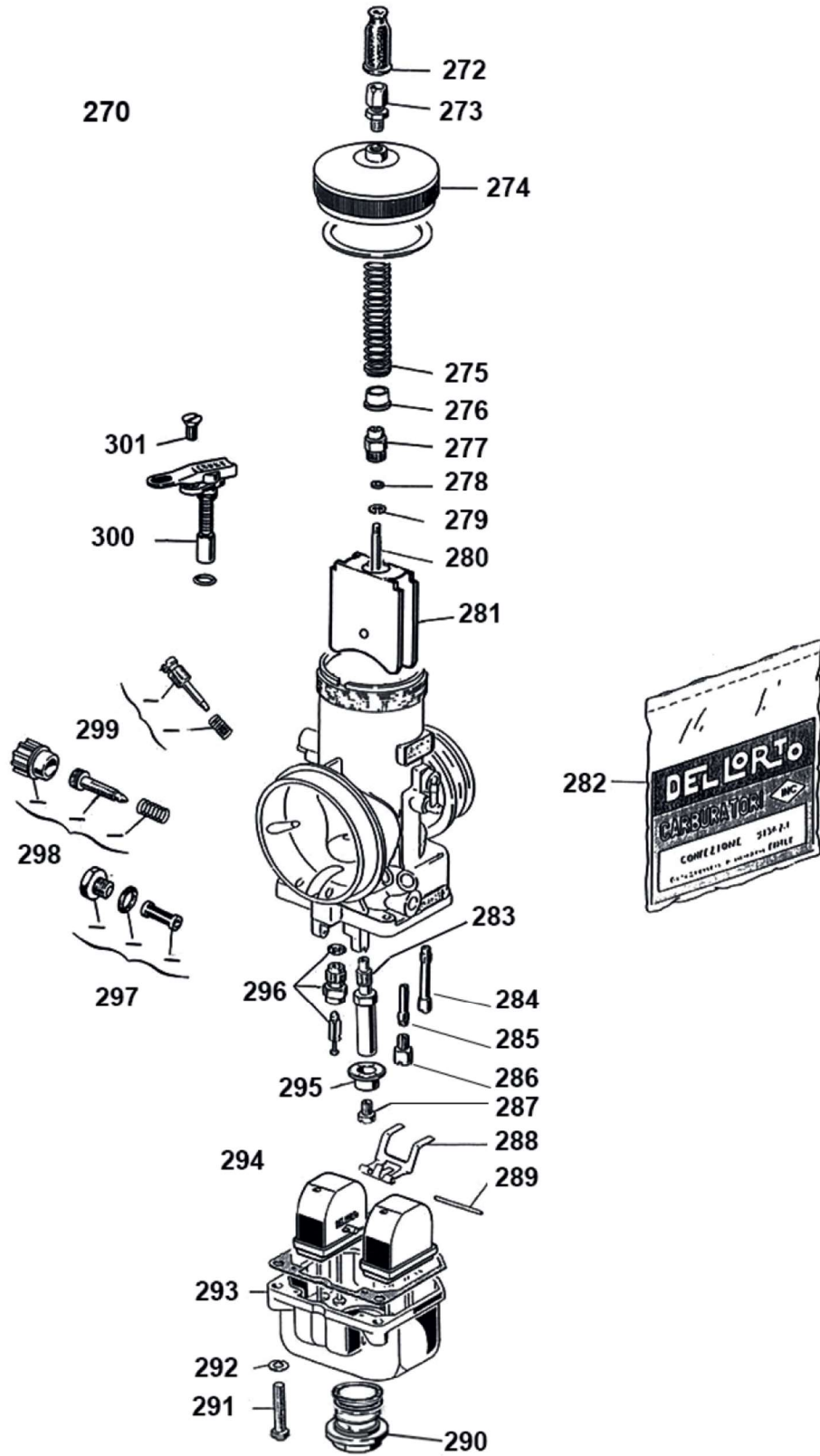


Rif.	Cod.	Descrizione	Description	Tax included
240	W10417	Rondella elastica posizionatore d.15x24x1	locating sprig washer d.15x24x1	198
241	W10419	Molla posizionatore marce	locating spring	902
242	W10415	Seeger a - 17	Seeger a - 17	22
243	W10416	Ralla boccola preselettore d.17x25x1	Pawl bush washer d.17x25x1	198
244	W10431/C	Leva posizionatore marce completa	Complete locating lever	3,190
245	W10420	Boccola per posizionatore marce	Locating bush	2,640
246	W10403	Molla preselettore	Preselector spring	1,210
247	W10402/1	Distanziale molla preselettore	Preselector spring spacer	781
248	W10400/1	Perno preselettore cambio completo	Complete gearbox preselector pin	7,040
249	W10421	Anello seeger a - 12	Seeger a - 12	22
250	W10420	Ralla perno preselettore d.12x22x1	Preselector pin washer d.12x22x1	198
252	W10440	Astuccio a rullini hk 1212	Roller case hk 1212	1,045
253	W10448	Paraolio preselettore d.12x22x7	Preselector oil seal d.12x22x7	451
254	W510/14	Vite tcce m6x14	Socket-head screw m6x14	22
255	W10404/1	Fermo molla preselettore rinforzato	Preselector spring stop reinforced	2,420
256	W10453/RVXXC	Coperchio preselett.cambio completo SHF	Complete gearbox preselector cover SHF	20,790
257	W512/14	Vite tsce m6x14	Flathed screw m6x14	22
258	W10539	Asta forchette d.10x85	Shifter forks pin d.10x85	1,320
259	W10426	Forcella 1ª e 4ª marcia	1st and 4th speed shifter fork	24,310
260	W10425	Forcella 2ª e 3ª marcia	2nd and 3rd speed shifter fork	24,310
261	W10570/RKZ	Albero desmodromico RKZ/SHF	Shift cam RKZ/SHF	35,090
262	W10571	Rullo desmodromico d.3x7,8	Roller cam d.3x7,8	198
263	W10575	Cuscinetto desmo sx 6803	Insert cam left 6803	3,300
264	W10405/RKZ	Stella selettore	Preselector cam	25,740
265	W10407	Perno stella selettore	Preselector cam pin	3,300
266	W10406/C	Assieme selettore porta cricchetti	Complete preselector ratchet wheel	41,800
267	W10408	Cricchetto	Preselector ratchet driving dog	2,750
268	W10409	Puntalino cricchetti	Driving dogs spring cap	902
269	W10410	Molla cricchetti	Driving dogs spring	319
270	W10406	Selettore porta cricchetti	Preselector ratchet wheel	31,020
271	W10401	Ruotina preselettore	Preselector crank wheel	1,870
272	W10411	Piastrina cricchetti	Driving dogs retain plate	1,320
273	W510/14	Vite tcce m6x14	Socket-head screw m6x14	22
274	W570/12	Rondella piana 6x12x1,5	Flat washer d.6x12x1,5	22
275	V.TCE4X8	Vite tcce m4x8	Socket-head screw m4x8	33
276	W585/09	Rondella piana m4x9	Flat washer 4x9	44
277	W10423	Forcella 5ª e 6ª velocita'	5th and 6th speed shifter fork	24,310
278	W10539	Asta forchette d.10x85	Shifter forks pin d.10x85	1,320
279	V.TCE6X16	Vite tcce m6x16	Socket-head screw m6x16	198
280	W10576	Boccola porta cuscinetto desmo	Shift cam bearing support	1,980
281	W10574	Cuscinetto desmo dx 6802/a	Insert cam right 6802/a	3,190



Rif.	Cod.	Descrizione	Description	Tax included
300	W10812/RVX	Carburatore dellorto vshs 30	Dellorto carburettor vshs 30	81,290
302	W10930	Collettore scarico	Exhaust manifold	12,540
303	W510/14	Vite tce m6x14	Socket-head screw m6x14	22
304	W10935	Guarnizione scarico	Exhaust gasket	319
305	W10920/SHF	Marmitta completa SHF	Complete muffler SHF	69,410
306	W10914/SHF	Curva marmitta SHF	Muffler bent pipe SHF	7,370
307	0059.00	Molla silenziatore corta	Short silencer spring	396
308	0208.00	Silenziatore in alluminio	Alluminium Silencer	48,510
308	W10900/SHF	Silenziatore shifter ACI-CSAI	ACI-CSAI Shifter silencer	55,440
309	W10036	Molla marmitta	Exhaust spring	1,980
310	W11023	Pompa depressione Dell'orto	Vacuum pump Dell'orto	16,170
312	V.TCE10X40	Vite tce m10x40	Socket-head screw m10x40	110
313	0039.V30A	Cavalotto 92x30 mm fr	Bracket 92x30 mm fr	5,280
314	V.TCE8X30	Vite tce m8x30	Socket-head screw m8x30	66
315	W10964/RVXX	Piastra motore nuda RVZ/SHF	Bare engine clamp RVZ/SHF	32,890
316	V.TCE6X25	Vite tce m6x25	Socket-head screw m6x25	44
317	W10444	Leva cambio	Gearbox lever	6,270
318	0225.GLB29	Silenziatore d'aspirazione LB29	Intake silencer LB29	9,350

270



Rif.	Cod.	Descrizione	Description	Tax included
270	W10812/ROKGP	RO/SR DELLORTO キャブレット 30 VHSH	Dell'orto carburettor vsh 30	81,290
272	W14050	SR スロットルワイヤーブーツ	Carburettor cap	297
273	W8931	RO/SR スロットルワイヤーアジャスター	Wire screw	539
274	W16309	RO キャブレットカバー	Chamber mixture cover	24,970
275	W17013	RO スロットルバルブスプリング	Gas valve spring	209
276	W14416	RO/SR スプリングボトム	Spring bottom	1,540
277	W16663-04	RO スロットルバルブワッシャー	Nipple gas valve	1,650
278	W10825231	RO/SR スライドニードルワッシャー	Flat washer	187
279	W9596211	RO/SR/MI スライドニードルクリップ	Needle fastener	220
280	W853033	SR スライドニードル K98	Conical needle k98	1,870
281	W1656540	RO スライド 40	Gas valve 40	23,870
282Z	W526110077	RO ガasketKIT	Gaskets kit	2,090
283	W12539268	RO スプレーノズル DP 268	Spray nozzle dp 268	3,080
284	W621760	RO/SR スタートジェット 60	Starting jet 60	902
285	W1053201	RO/SR アイドルジェットインサート CDI 45-60	Diffuser jet jet min. 45-60	1,210
286	W1299560	RO アイドルジェット 60	Jet min. 60	2,420
287	W6413160	RO/SR メインジェット 160	Jet max. 160	770
288	W1054426	RO/SR フロートバランサー	Float balancer	2,420
289	W12692	RO/SR フロートピン	Float peg	737
290	W16316	RO フロートチャンバープラグ	Float chamber plug	8,030
291	W14858	RO/SR フロートチャンバーネジ	Float chamber fixing screw	209
292	W495723	RO/SR フロートチャンバーネジワッシャー	Elastic washer	132
293	W1441596	RO/SR フロートチャンバー	Float chamber	10,230
294	W1576003	RO/SR フロート GR.4	Float gr.4	2,310
295	W12546-52	RO メインジェットクリップ	Bottom	693
296	W8649250	RO ニードルバルブKIT 250	Needle valve 250	4,620
297	W5308900	RO フューエルフィルター KIT	Kit fuel filter	2,750
298	W53090	RO フューエル/アジャストニードル KIT	Adjustment gas valve screw kit	1,540
299	W53091	RO エア/アジャストニードル KIT	Adjustment air screw kit	1,210
300	W8294	RO/SR チョークレバー	Starting device	4,620
301	W11752	RO/SR チョークレバーネジ	Starting device fixing screw	660